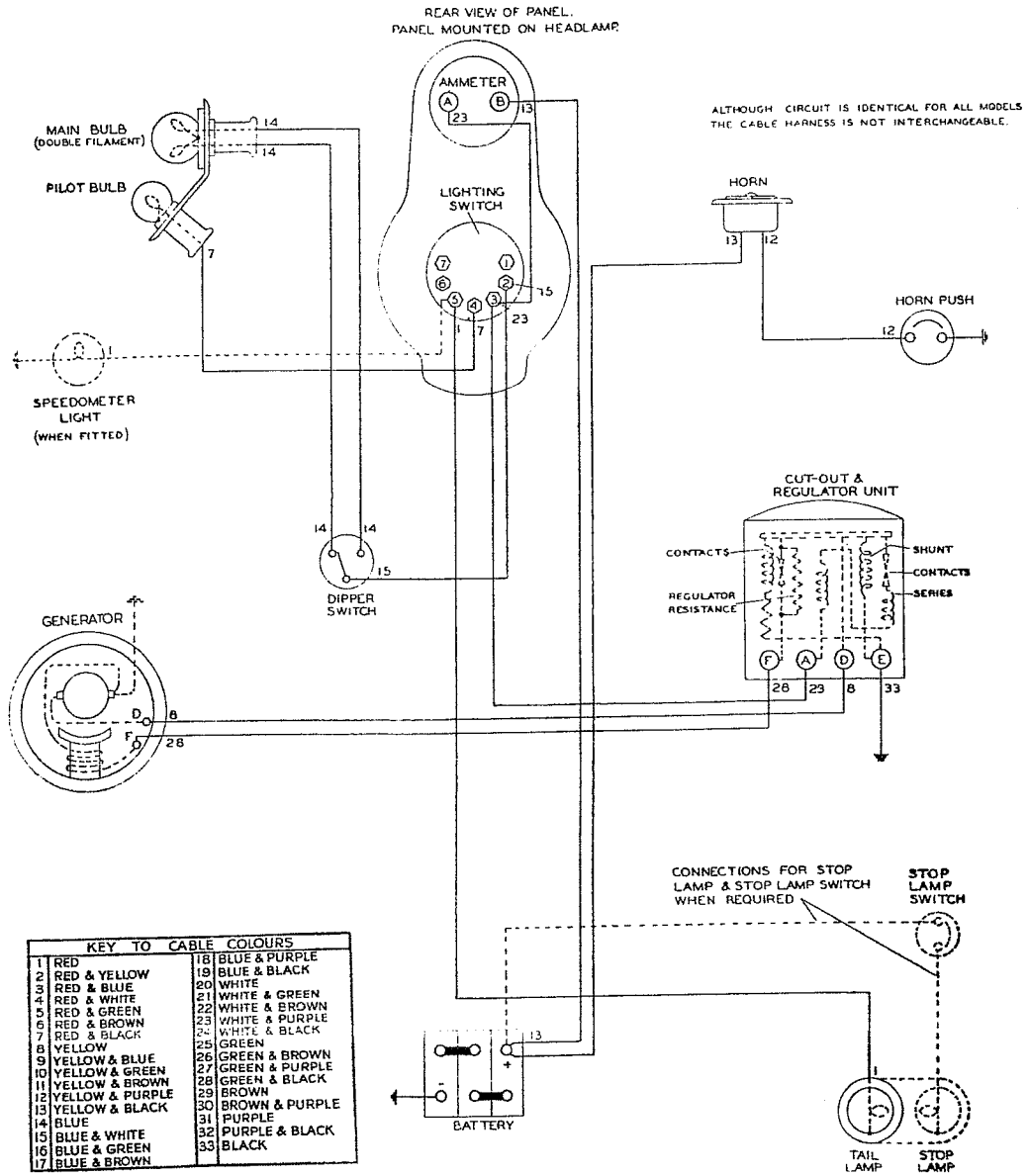


# BSA SERVICE SHEET No. 808

October, 1948  
Reprinted February, 1965

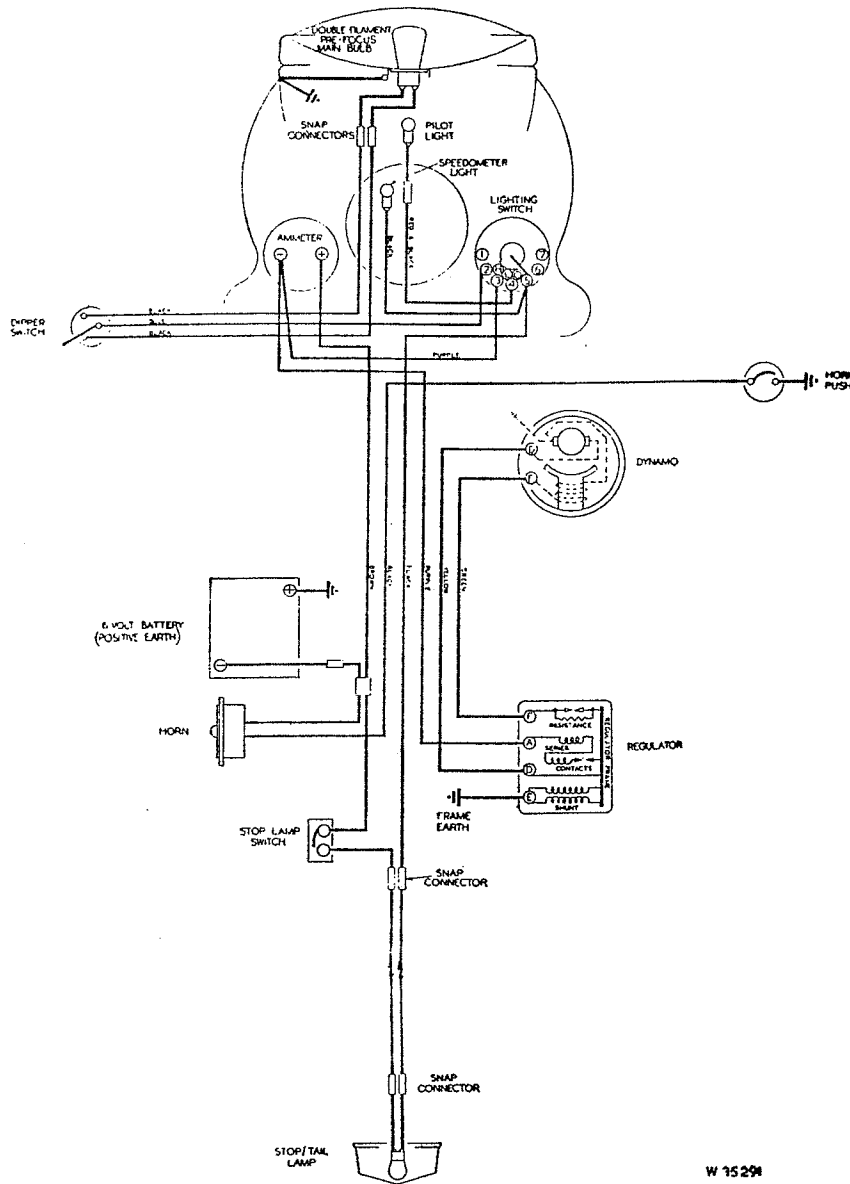
## A, B and M Group Models WIRING DIAGRAMS (NEGATIVE EARTH)



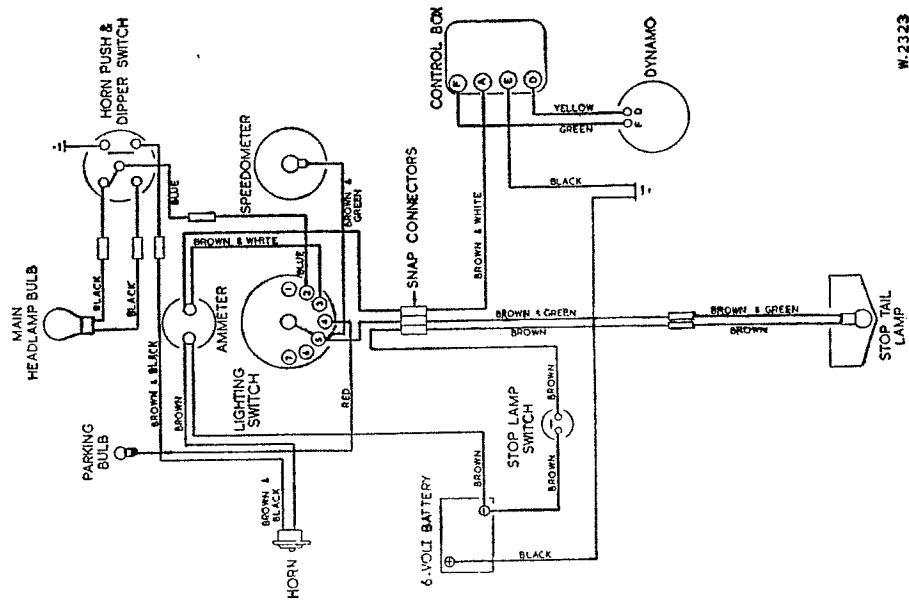
Numbers indicate cable identification colours. See key.

# BSA SERVICE SHEET No. 808A

## A, (except A50/A65) B and M Group Models WIRING DIAGRAM (Positive Earth System)

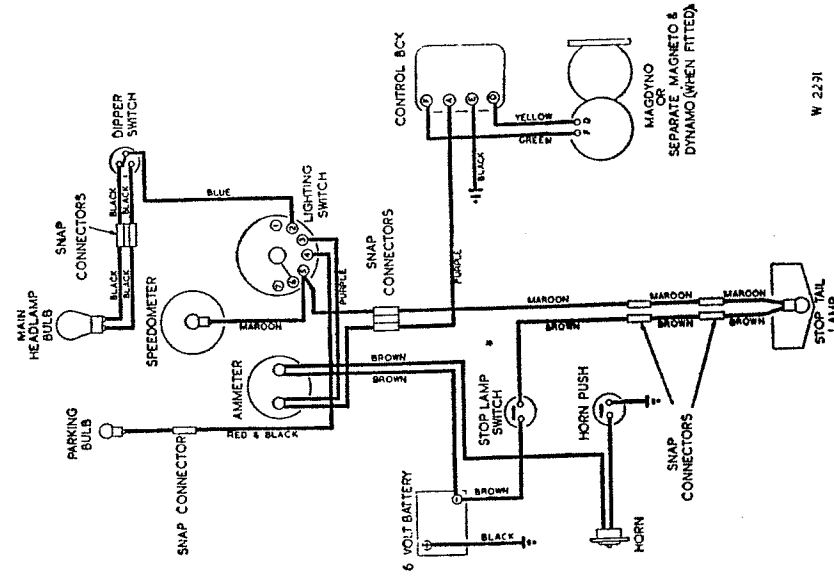


A and B Group Models Wiring Diagrams



W.2323

1956-57 Models (Positive Earth)



W.2271

1955-56 Models (Positive Earth)

B.S.A. Press.

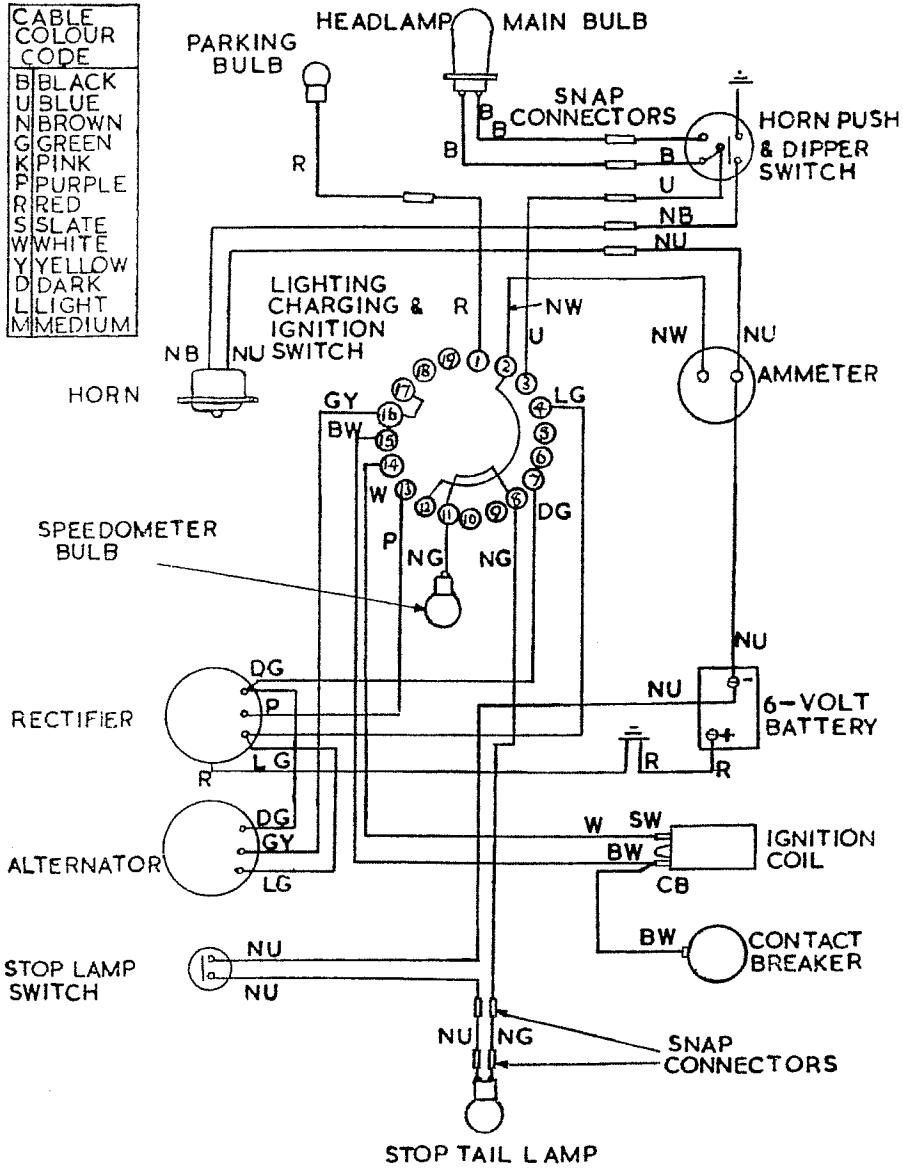
B.S.A. MOTOR CYCLES LTD  
Service Dept., Armoury Road,  
Birmingham 11

# BSA SERVICE SHEET No. 808H

## B Group Models

(FITTED WITH ALTERNATOR)

### WIRING DIAGRAM (Positive Earth System)



B.S.A. MOTOR CYCLES LTD.  
 Service Dept., Armoury Road, Birmingham, 11  
 Printed in England